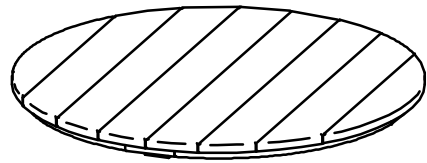


# Poly Deluxe Conversation Table

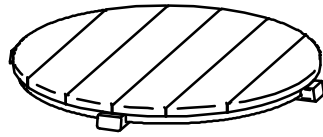
- 1 - (A) Table Top
- 1 - (B) Bottom Shelf
- 4 - (C) Leg

## Hardware

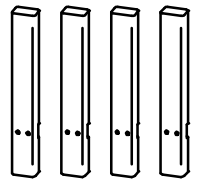
- 8 - 3" Screws
- 8 - 2" Screws



A.



B.

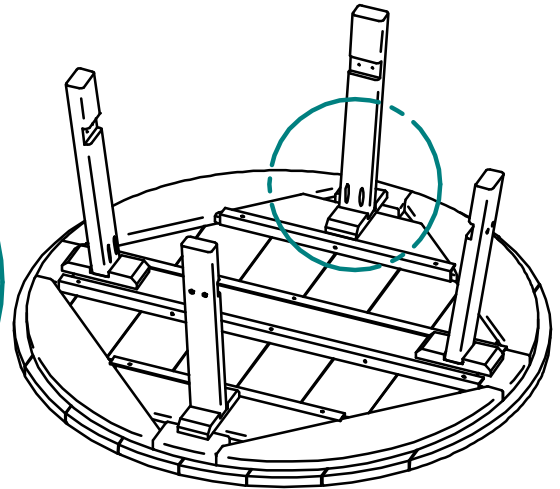
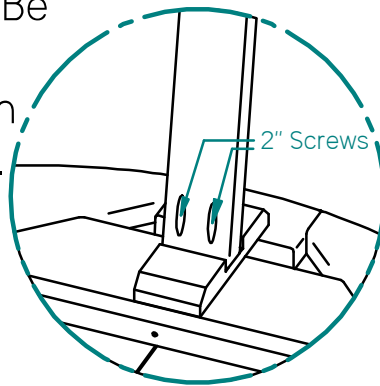


C.

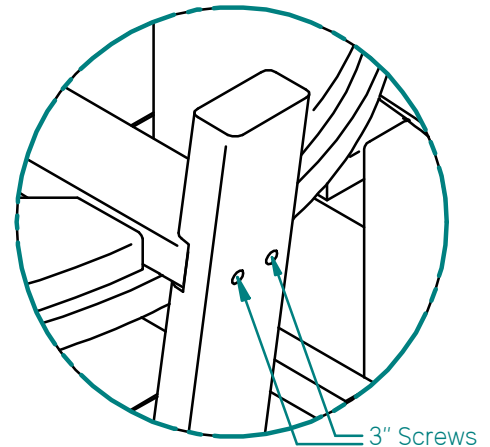
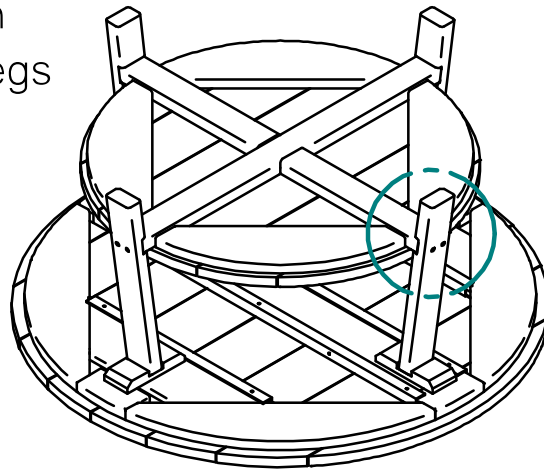


1. Place (A) Table Top upside down on a blanket.

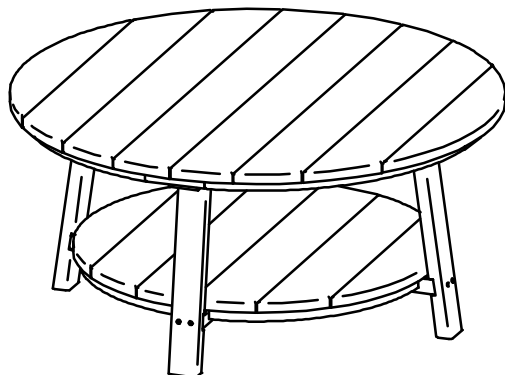
Insert (C) Legs into notches. Be sure all notches in legs are facing center of table. Attach using two 2" Screws per leg.



2. Position (B) Bottom Shelf in notches in Legs and attach using two 3" Screws per leg.



3. ENJOY



## Premium Poly Patios

Eco-Friendly Furniture For a 'World of Difference!'

Toll Free: 877-904-1234

Email: [customerservice@poly-lumber-furniture.com](mailto:customerservice@poly-lumber-furniture.com)

[www.Poly-Lumber-Furniture.com](http://www.Poly-Lumber-Furniture.com)