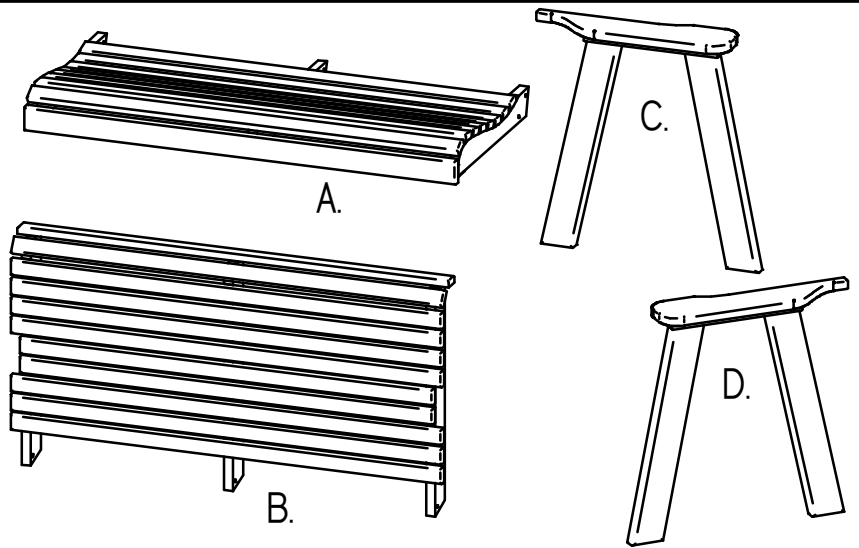


# 4' Plain Poly Bench

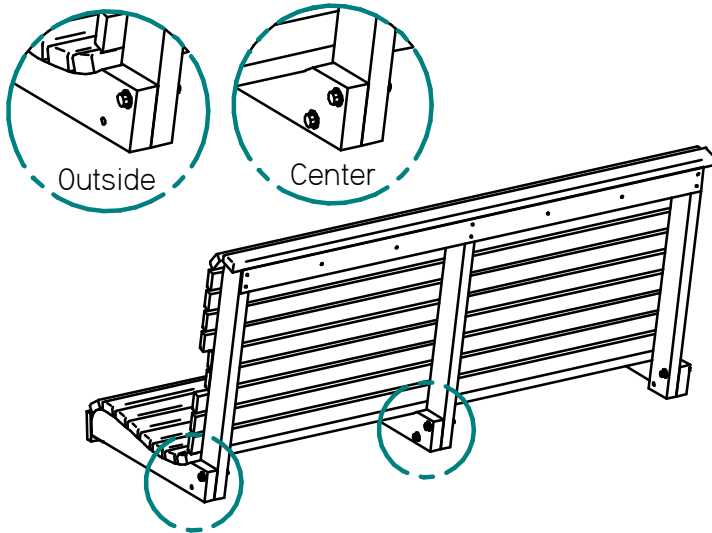
- (A) - Seat Assembly
- (B) - Back Assembly
- (C) - Armrest Assembly right side
- (D) - Armrest Assembly left side

## Hardware

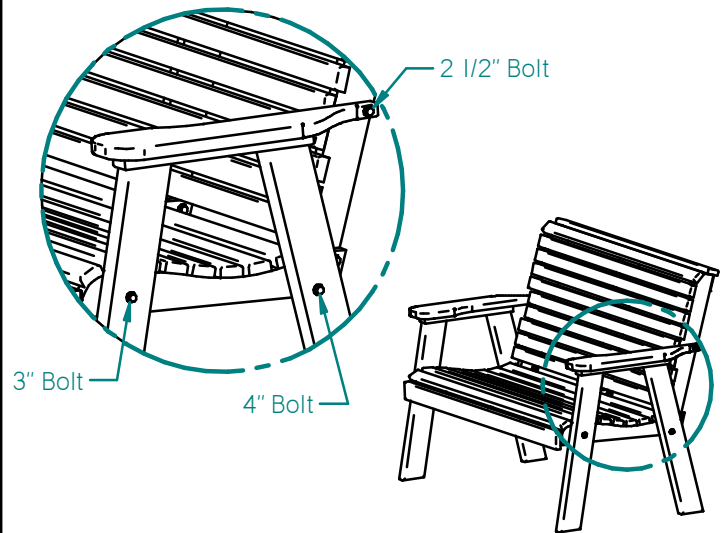
- 2 - 5/16" x 4" Hex Head Bolts
- 2 - 5/16" x 3" Hex Head Bolts
- 6 - 5/16" x 2 1/2" Hex Head Bolts
- 20 - 3/8" Washers
- 10 - 5/16" Nuts
- 8 - 2" Screws



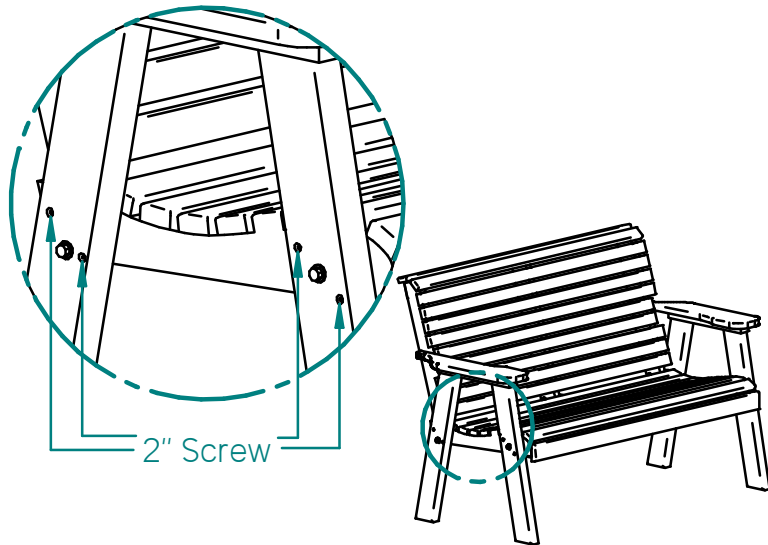
1. Assemble (A) Seat Assembly to (B) Back Assembly with four 2 1/2" Bolts. Put two in center and one in top hole on each end. Always use Washer between bolt head and product. Secure Bolt with washer and Nut.  
 "Be sure to always match letters and/or numbers"



2. Attach Armrest & Leg Assembly to each side using 3" Bolt in front leg, 4" Bolt in back leg, and 2 1/2" Bolt in armrest. Always use a Washer between Bolt head and product. Secure each Bolt with washer and nut.  
 "Be sure to always match letters and/or numbers"



3. Install 2" Screws in predrilled holes on each leg.



## Premium Poly Patios

Eco-Friendly Furniture For a 'World of Difference!'

Toll Free: 877-904-1234

Email: [customerservice@poly-lumber-furniture.com](mailto:customerservice@poly-lumber-furniture.com)

[www.Poly-Lumber-Furniture.com](http://www.Poly-Lumber-Furniture.com)

