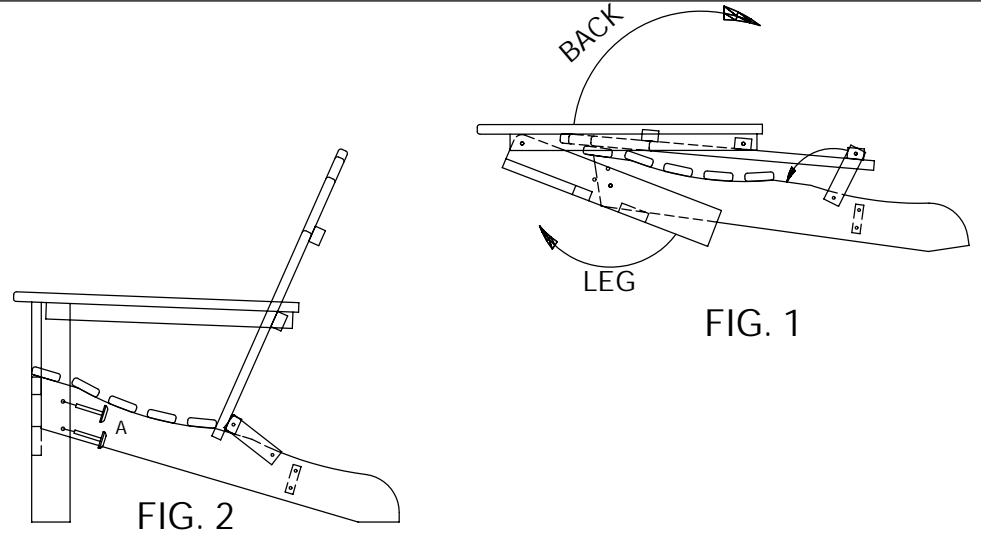


# ASSEMBLY INSTRUCTIONS

## Model: TT4040

### STEP 1

UNFOLD THE LEFT AND RIGHT CHAIR ASSEMBLIES FIG. 1.  
 INSERT (8) 2" BOLTS, NUTS AND WASHERS "C" TWO ON EACH SIDE. FIG. 2  
 SET THEM SIDE BY SIDE WITH THE ARM RESTS ON THE OUTSIDES.



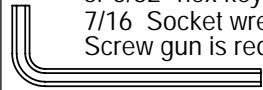
### STEP 2

ATTACH THE TABLE TO THE LEFT AND RIGHT CHAIR ASSEMBLIES USING (2) 3" LAG BOLTS "B" AND (2) 3" BOLTS, NUT AND WASHERS "C" AND (2) #8 X 2 FLAT HEAD SCREWS "D" IN PRE-DRILLED HOLES.

- (1) Left chair
- (1) Right chair
- (1) Table top
- (1) Hardware pack

#### TOOLS NEEDED

Phillips head screwdriver or 5/32" hex key: Included  
 7/16 Socket wrench  
 Screw gun is required



LETTER	QTY.	DESCRIPTION
A	8	2" BOLTS
B	2	3" LAG BOLTS
C	2	3" BOLTS
C	12	¼" FLAT WASHER
C	10	¼-20 LOCK NUT
D	2	#8 X 2 FLAT HEAD SCREWS

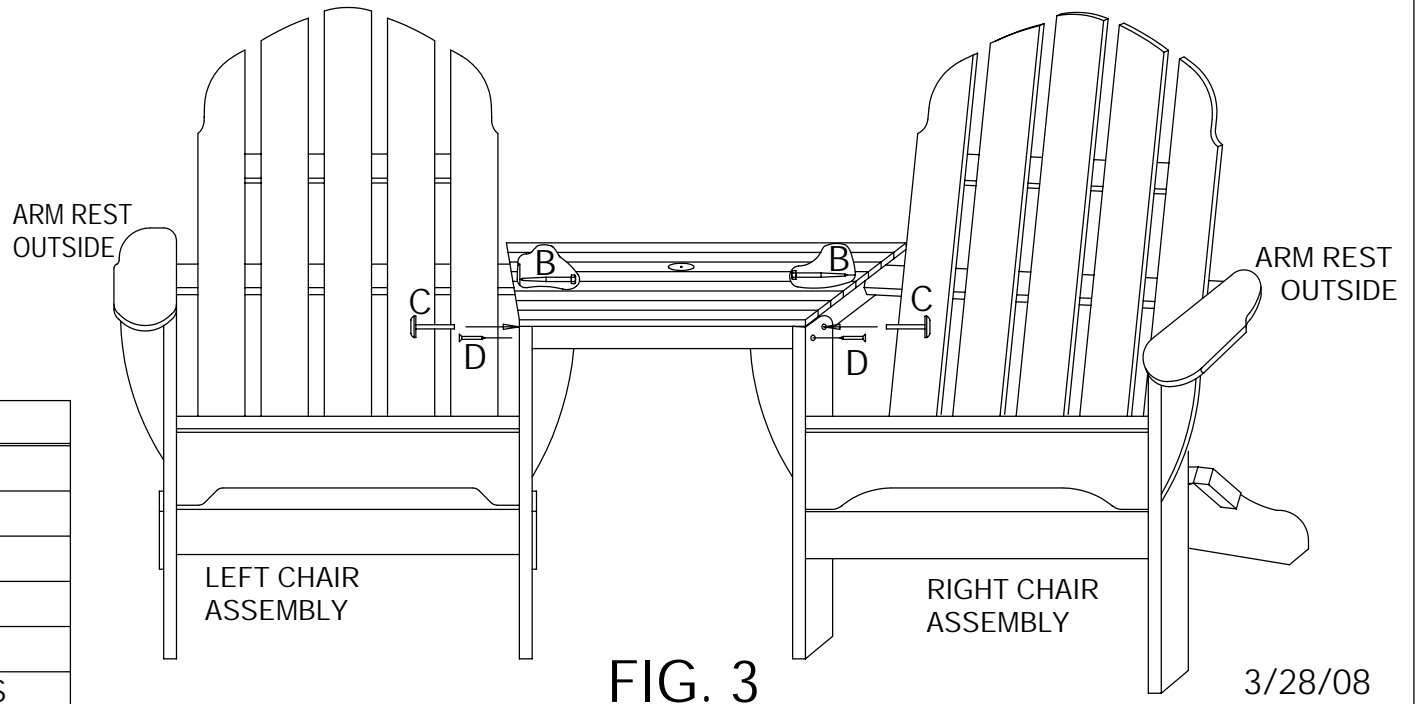


FIG. 3

3/28/08