

Assembly Instructions

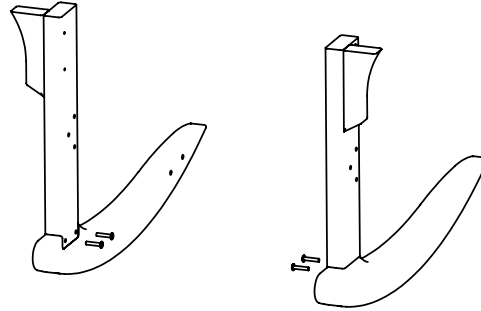
Model: SHR22

- (1) Seat
- (1) Back
- (2) Front legs
- (2) Arms
- (2) Rockers
- (1) Hardware pack

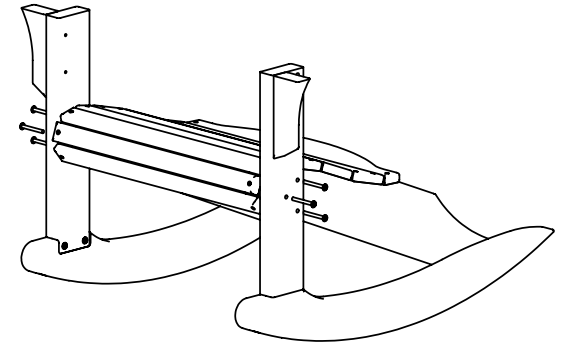
TOOLS NEEDED

Phillips head screwdriver
 Screw gun required
 4mm HEX KEY: INCLUDED

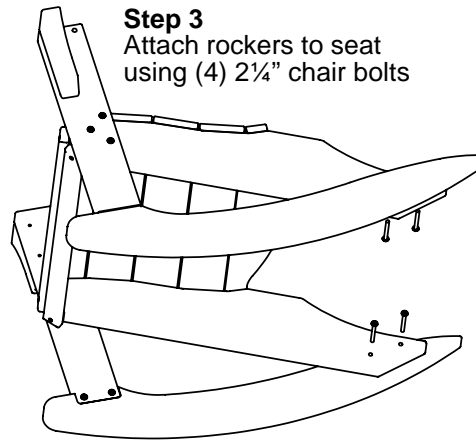
Step 1
 Attach front legs to rockers with (4) 1 ¼" chair bolts.
 Make sure wing is toward the front of the rocker



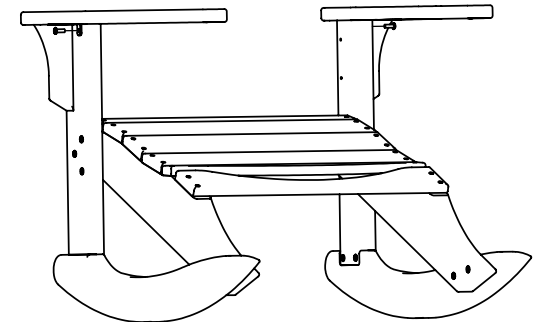
Step 2
 Attach front legs to seat using (6) 2¼" chair bolts.



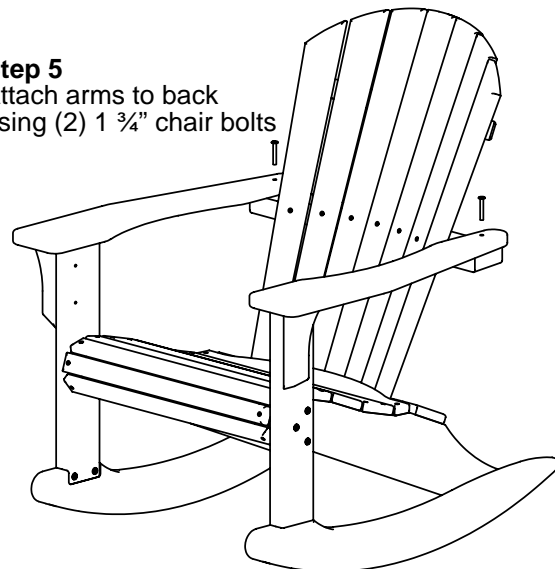
Step 3
 Attach rockers to seat
 using (4) 2¼" chair bolts



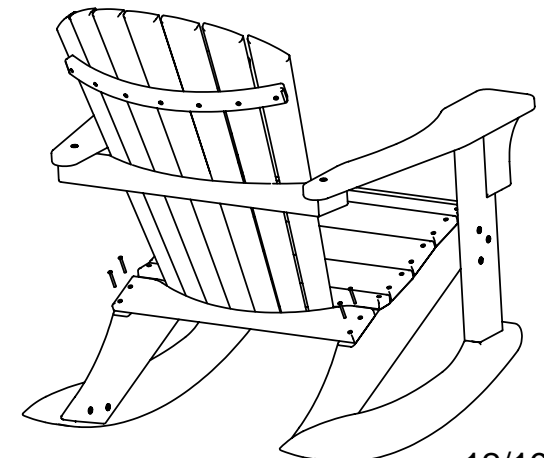
Step 4
 Attach arms to legs using (2) ¾" chair bolts



Step 5
 Attach arms to back
 using (2) 1 ¾" chair bolts



Step 6
 Attach back to seat using (4) 8 x 1 ½" screws



Qty.	Description
4	A - 8 x 1½" screw
2	B - ¾" chair bolt
4	C - 1 ¼" chair bolt SS
2	D - 1¾" chair bolt
10	E - 2¼" chair bolt