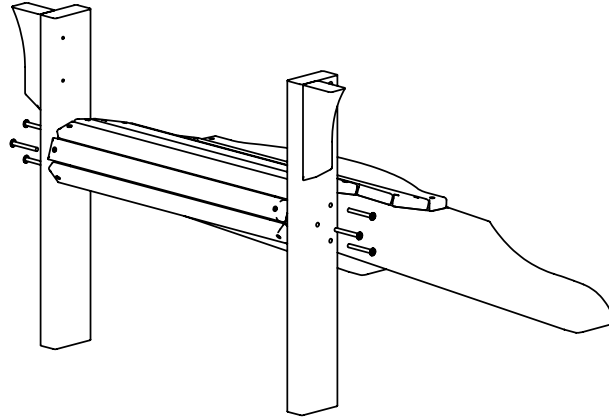


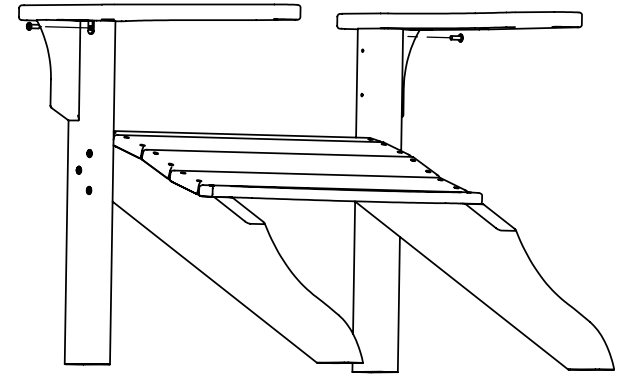
Assembly Instructions  
Model: SH22

- (1) Seat
- (1) Back
- (2) Front legs
- (2) Arms
- (1) Hardware pack

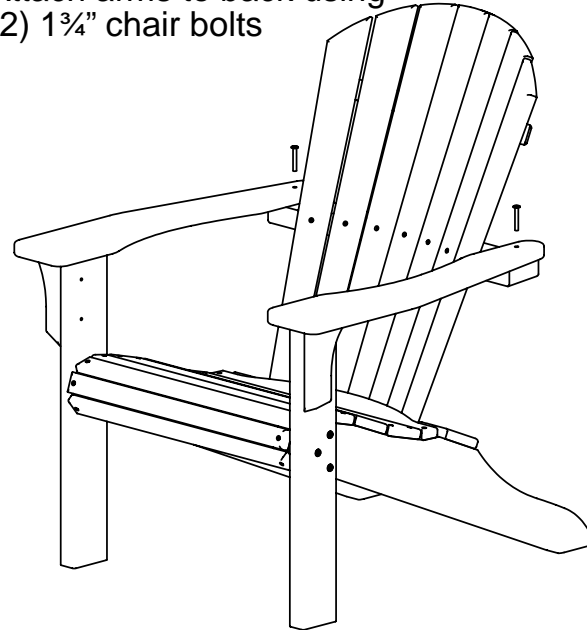
**Step 1**  
Attach front legs to seat using  
(6) 2¼" chair bolts



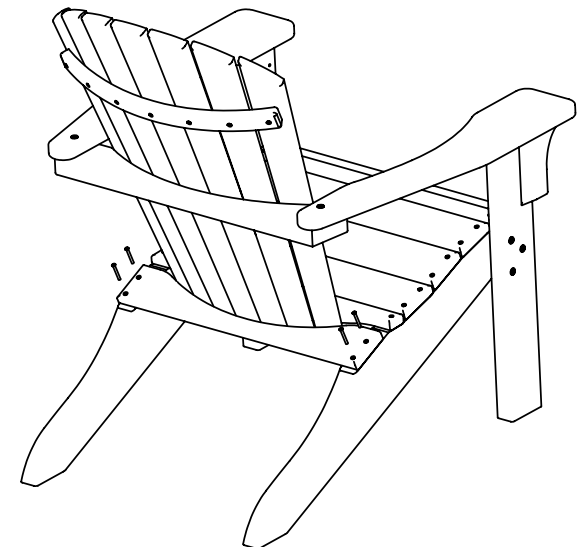
**Step 2**  
Attach arms to front legs using  
(2) ¾" chair bolts



**Step 3**  
Attach arms to back using  
(2) 1¾" chair bolts



**Step 4**  
Attach back to seat using  
(4) 1½" screws



**TOOLS NEEDED**

Phillips head screwdriver  
Screw gun required  
4mm HEX KEY: INCLUDED

Qty.	Description
4	A - 8 x 1½" screw
2	B - ¾" chair bolt
2	C - 1¾" chair bolt
6	D - 2¼" chair bolt