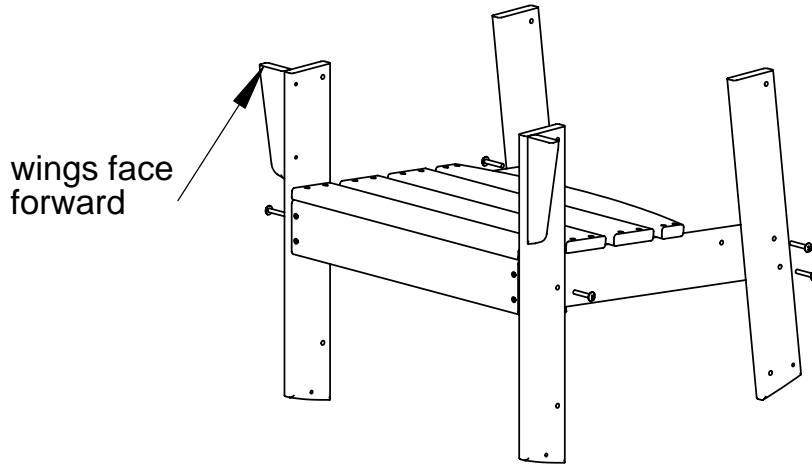
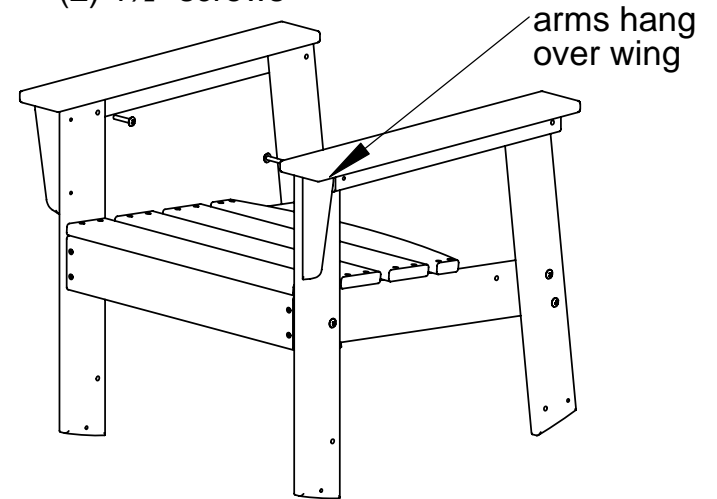


Assembly Instructions
Model: SBR16

Step 1
 Lay seat on its side.
 Attach front leg and back leg
 to seat. Now flip seat around and
 do the other side. Uses (6) 1½" screws

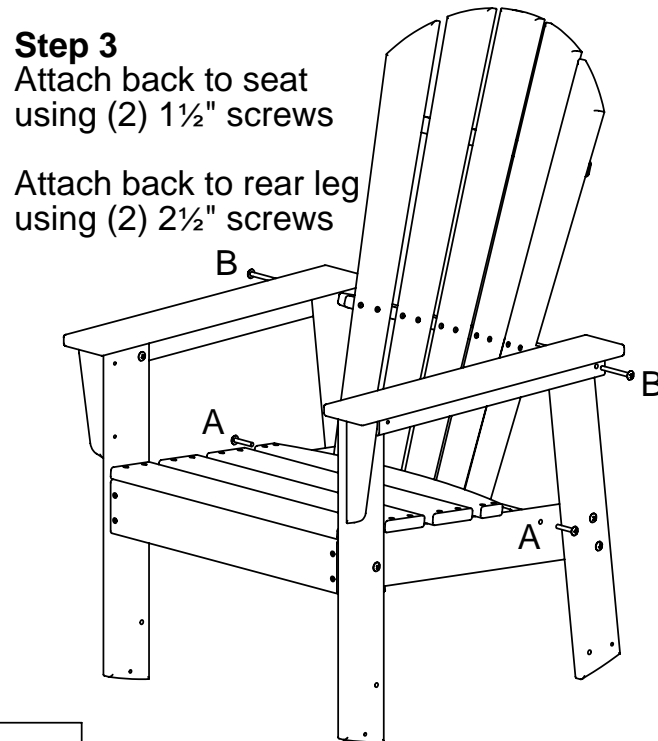


Step 2
 Attach arms to front leg using
 (2) 1½" screws



- (1) Seat
- (1) Back
- (2) Front legs
- (2) Back legs
- (2) Arms
- (2) Braces
- (2) Rockers
- (1) Hardware pack

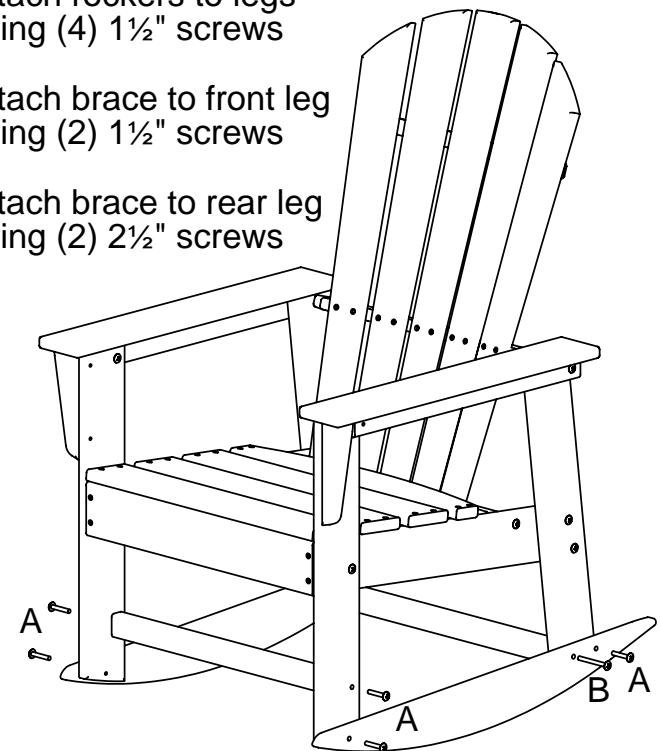
Step 3
 Attach back to seat
 using (2) 1½" screws
 Attach back to rear leg
 using (2) 2½" screws



Step 4
 Attach rockers to legs
 using (4) 1½" screws

Attach brace to front leg
 using (2) 1½" screws

Attach brace to rear leg
 using (2) 2½" screws



TOOLS NEEDED

Phillips head screwdriver

Qty.	Description
16	A - 14x1½" Screw
4	B - 14x2½" Screw

All screws are truss head type B

All hardware is SS

8/21/07