

Assembly Instructions

Model: RT36, RCT36, RRT36, RBT36

Step 1

Attach feet to legs using (4) 3/4" Chair bolts.

Step 2

Lay table frame on flat surface.

Attach the leg assemblies to the table frame using (8) 2 1/4" Chair bolts

Step 3

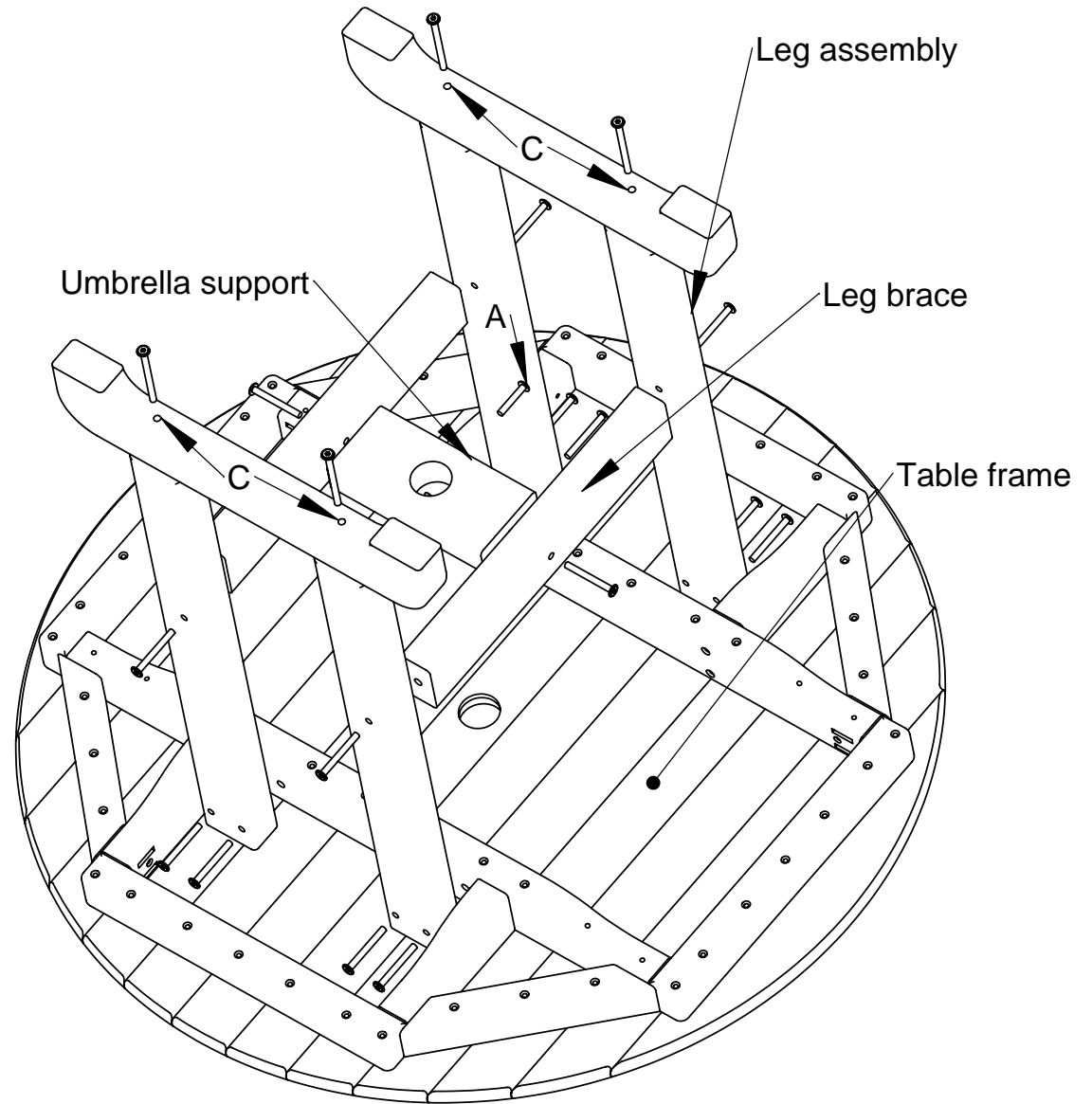
Attach the leg braces to the leg assemblies using (4) 2 1/4" Chair bolts

Attach the umbrella support using (2) 2 1/4" Chair bolts

Step 4

Set table upright and tighten all bolts.

The 1 1/2" Chair bolt secures the umbrella pole.



- ___ (1) Table top
- ___ (4) Leg
- ___ (2) Foot
- ___ (2) Brace
- ___ (1) Umbrella support
- ___ (1) Hardware pack

TOOLS NEEDED

4mm HEX KEY: INCLUDED

Qty.	Description
------	-------------

1	 Table plug
---	--

1	A - 1 1/2" Chair bolt
---	-----------------------

14	B - 2 1/4" Chair bolt
----	-----------------------

4	C - 3/4" Chair bolt
---	---------------------

All bolts are "B" unless specified

All bolts are 1/4-20

3/9/06