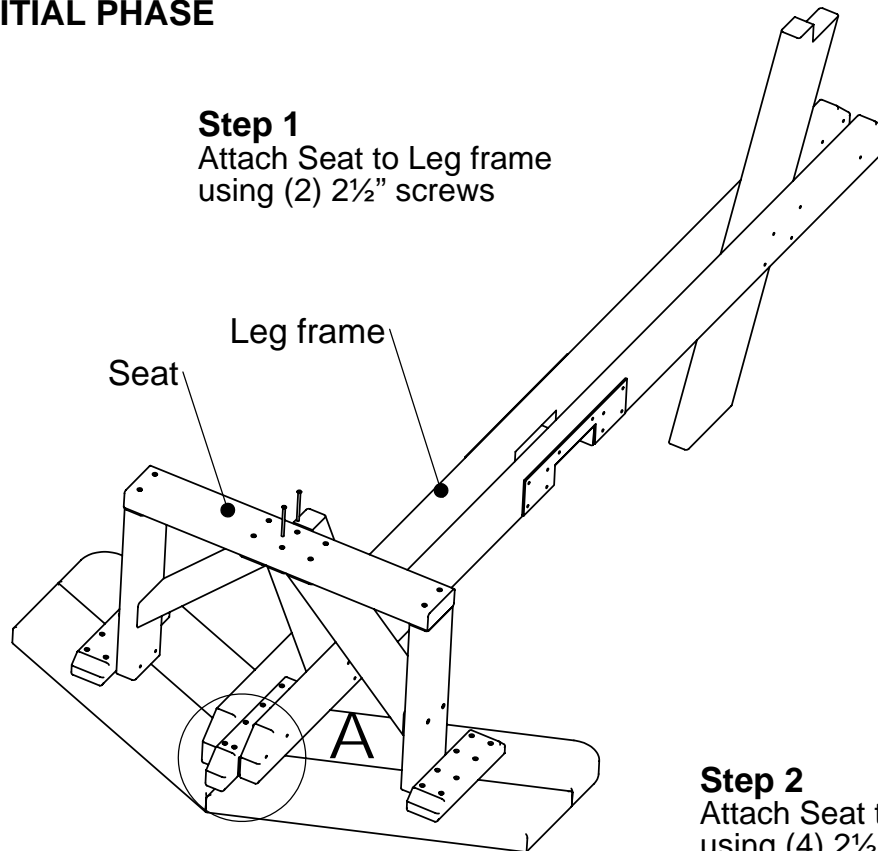


## INITIAL PHASE

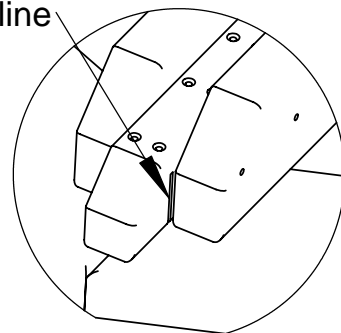
### Assembly Instructions Model: PH53

- (4) Seats
- (2) Leg frames
- (1) Table top
- (1) Hardware pack

**Step 1**  
Attach Seat to Leg frame  
using (2) 2½" screws

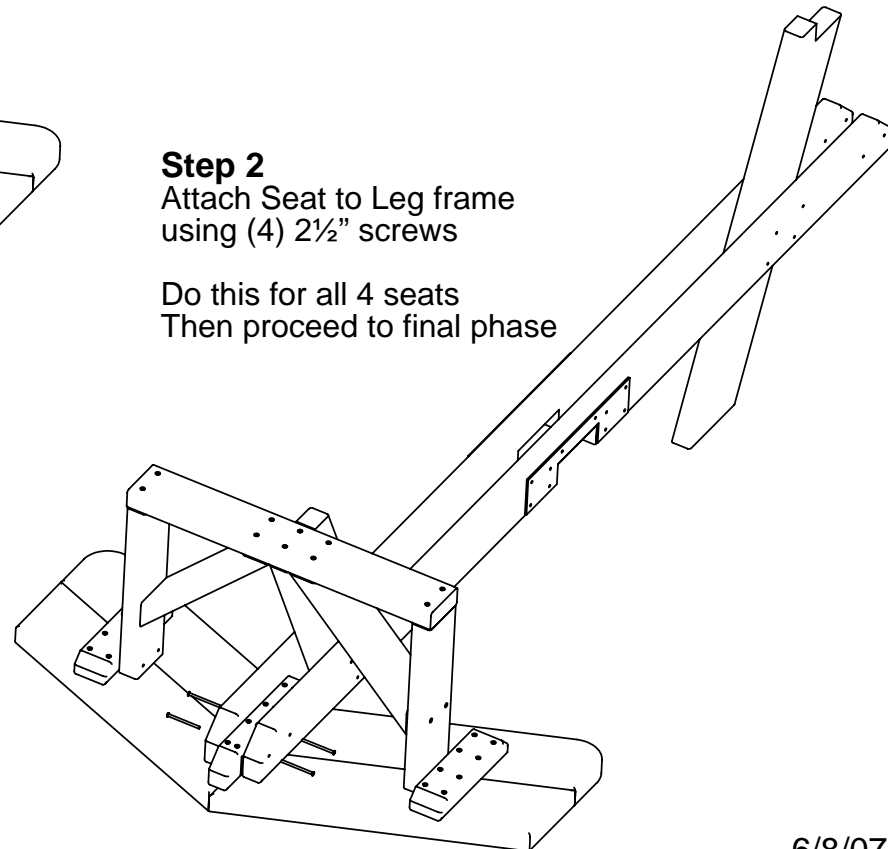


Bring part to line



**Step 2**  
Attach Seat to Leg frame  
using (4) 2½" screws

Do this for all 4 seats  
Then proceed to final phase



### TOOLS NEEDED

#2 Square head screwdriver  
(Screw gun recommended)

Qty.	Description
24	A - 2 1/2" Square Drive Screw