

Assembly Instructions

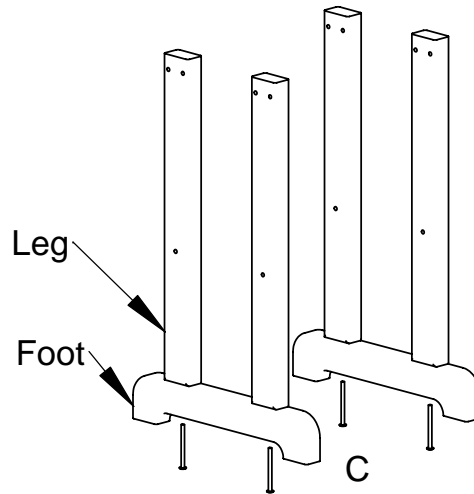
Model:

NCT37
NCCT37
NCRT37
NCBT37

- (1) Table top
- (4) Leg
- (2) Foot
- (2) Brace
- (1) Umbrella support
- (1) Hardware pack

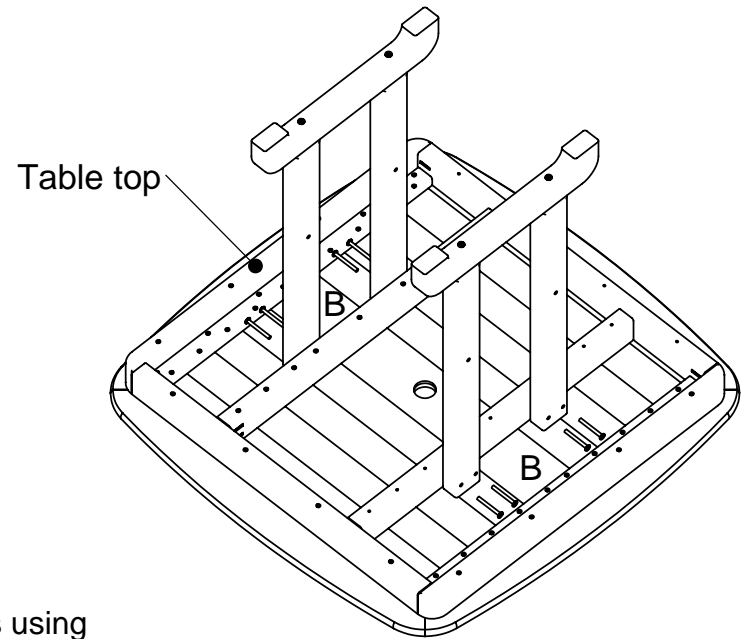
Step 1

Attach feet to legs using (4) 3/4" Chair bolts.



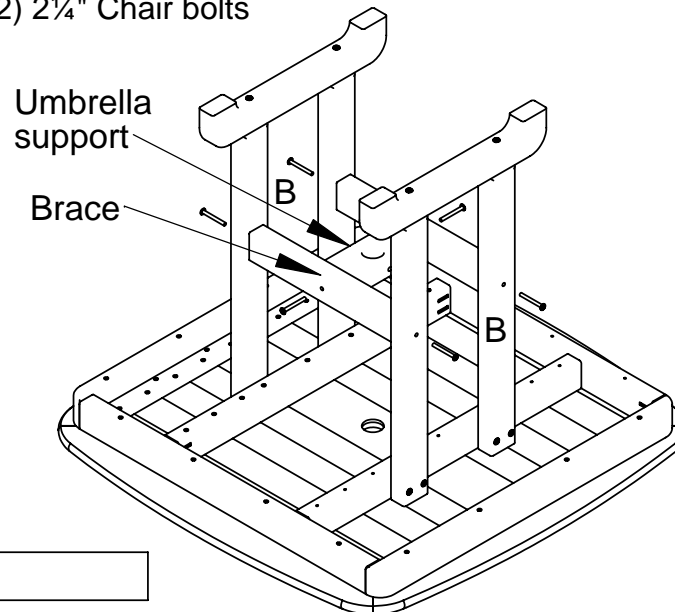
Step 2

Lay table top on flat surface.
Attach the leg assemblies to the table frame using (8) 2 1/4" Chair bolts *Do not tighten until last step



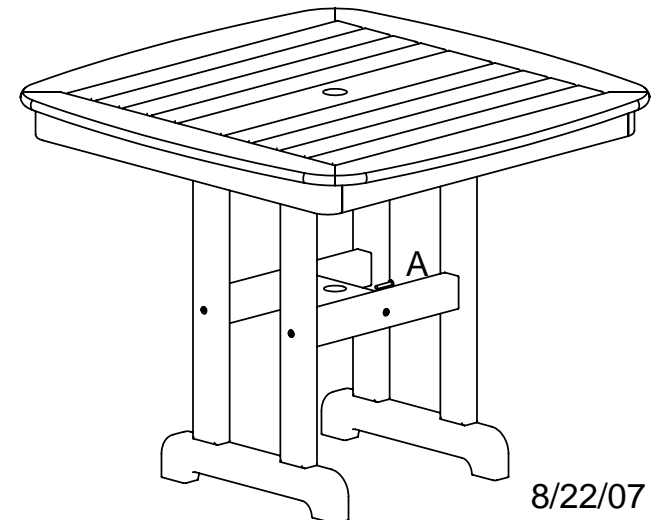
Step 3

Attach the leg braces to the leg assemblies using (4) 2 1/4" Chair bolts
Attach the umbrella support using (2) 2 1/4" Chair bolts



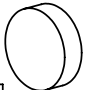
Step 4

Set table upright and tighten all bolts.
The 1 1/2" Chair bolt secures the umbrella pole.



TOOLS NEEDED

4mm HEX KEY: INCLUDED

Qty.	Description
1	 Table plug
1	A - 1 1/2" Chair bolt
14	B - 2 1/4" Chair bolt
4	C - 3/4" Chair bolt