

Assembly Instructions

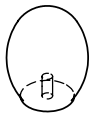
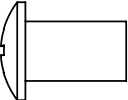
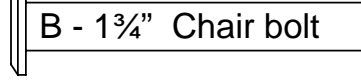
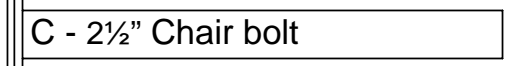
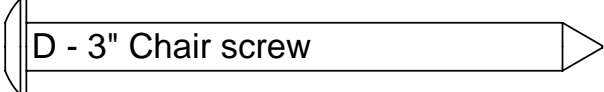
Model: K47

- (1) Hardware pack
- (2) Sideframes
- (2) Rocker bottoms
- (1) Back insert
- (1) Seat insert
- (1) Seat frame
- (2) Long braces
- (1) Short brace
- (1) Head piece

TOOLS NEEDED

4mm HEX KEY: INCLUDED
Phillips head screwdriver (for barrel nut)

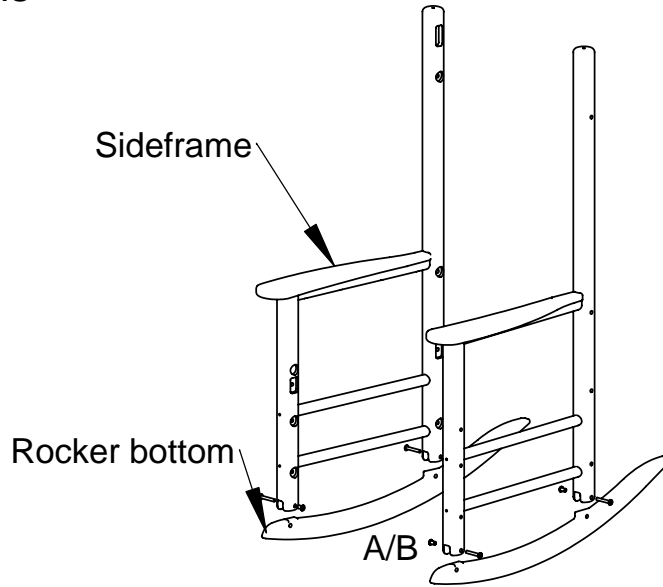
Qty.	Description
------	-------------

- | | |
|----|---|
| 2 |  Finial w/dowell screw |
| 4 |  A - Barrel nut |
| 4 |  B - 1 3/4" Chair bolt |
| 4 |  C - 2 1/2" Chair bolt |
| 10 |  D - 3" Chair screw |

Step 1

Attach rocker bottoms to sideframes using (4) 1 3/4" chair bolts and (4) barrel nuts.

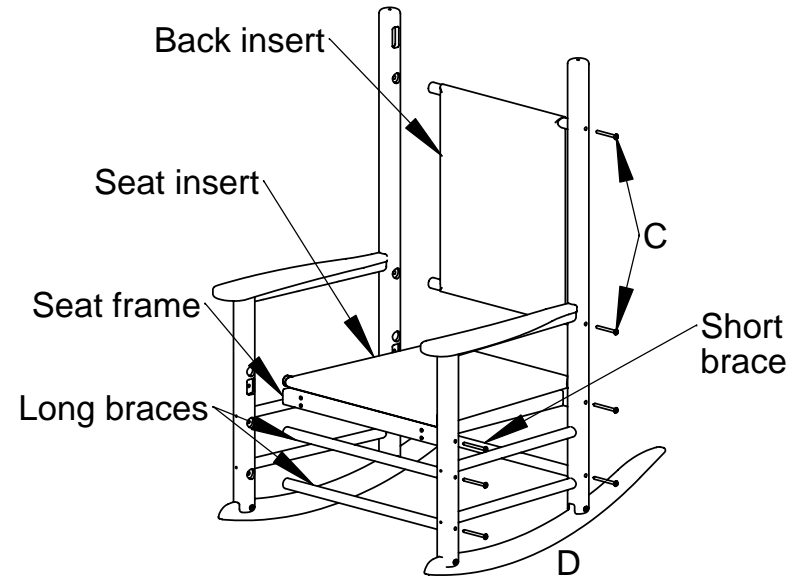
Note: Insert barrel nut into hole first. Barrel nut goes on the inside of the leg.



Step 2

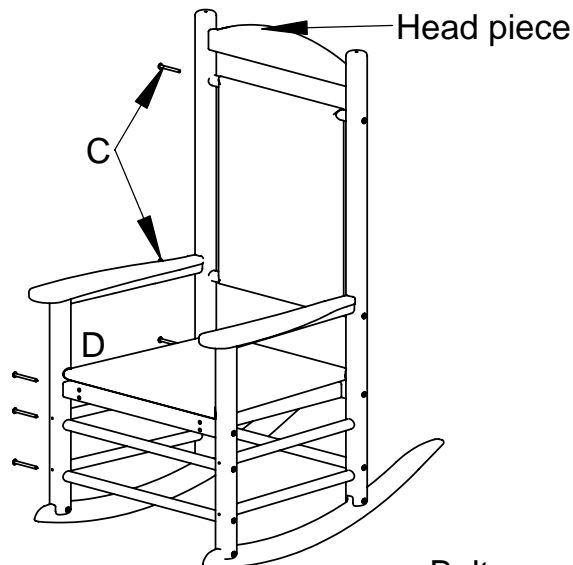
Attach long braces, short braces, seat frame and seat insert to one of the sideframes using (5) 3" chair screws.

Note: front of seat is wider



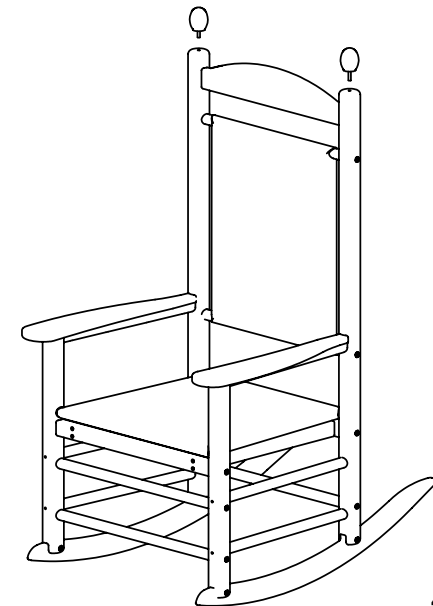
Step 3

Insert head piece into top of post
Repeat step 2 on other side



Step 4

Attach finials to top of post



Bolts are 1/4-20

4/10/08