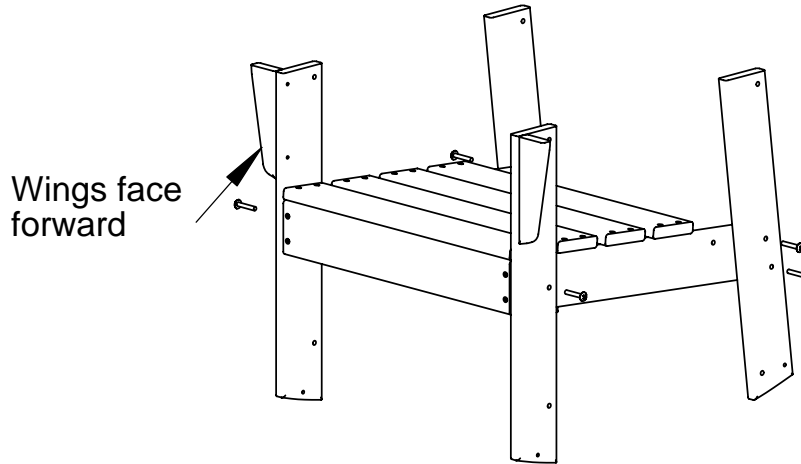


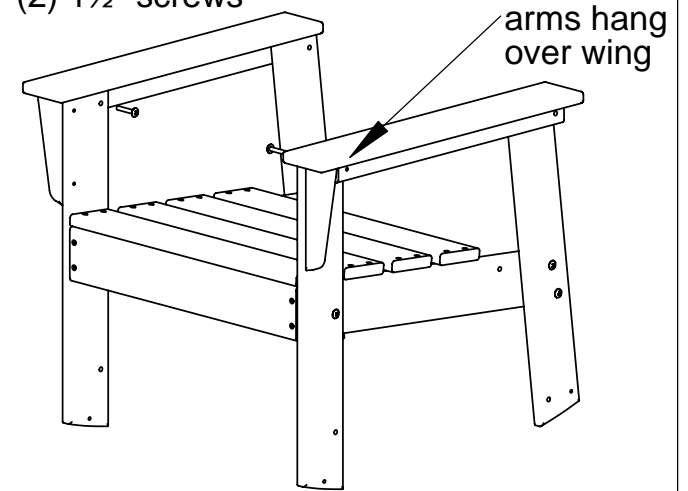
**Assembly Instructions**  
**Model: ECR16**

**Step 1**  
 Lay seat on its side.  
 Attach front leg and back leg  
 to seat. Now flip seat around and  
 do the other side. Uses (6) 1½" screws

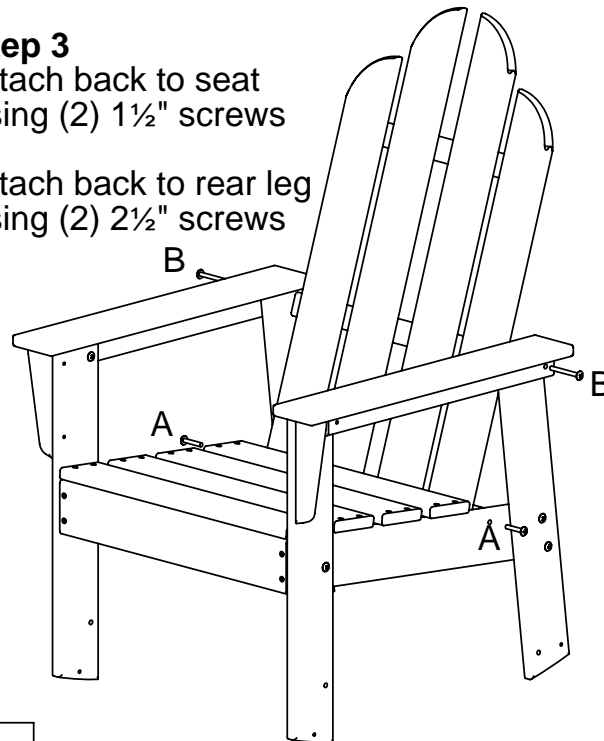


- (1) Seat
- (1) Back
- (2) Front legs
- (2) Back legs
- (2) Arms
- (2) Braces
- (2) Rockers
- (1) Hardware pack

**Step 2**  
 Attach arms to front leg using  
 (2) 1½" screws



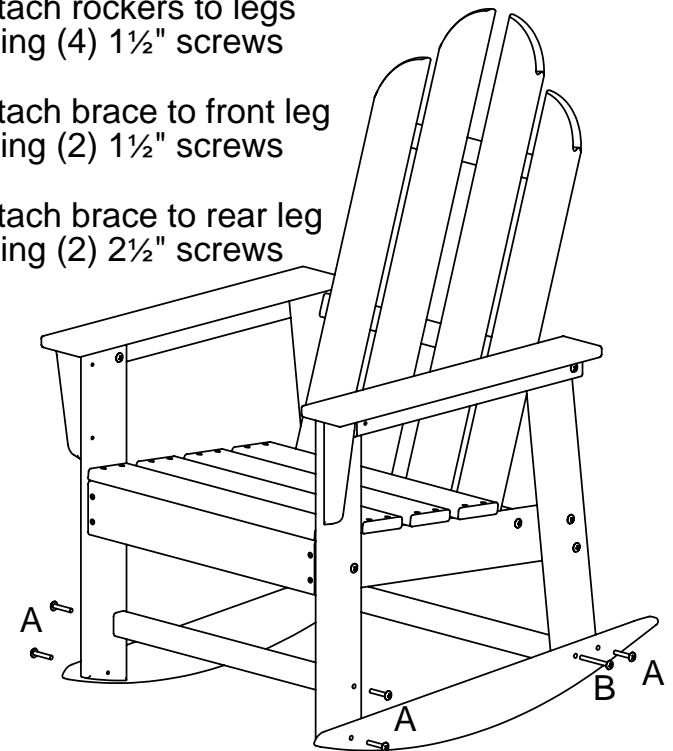
**Step 3**  
 Attach back to seat  
 using (2) 1½" screws  
 Attach back to rear leg  
 using (2) 2½" screws



**Step 4**  
 Attach rockers to legs  
 using (4) 1½" screws

Attach brace to front leg  
 using (2) 1½" screws

Attach brace to rear leg  
 using (2) 2½" screws



**TOOLS NEEDED**

Phillips head screwdriver

Qty.	Description
16	A - 14x1½" Screw
4	B - 14x2½" Screw

All screws are truss head type B

All hardware is SS

8/21/07