

Assembly Instructions

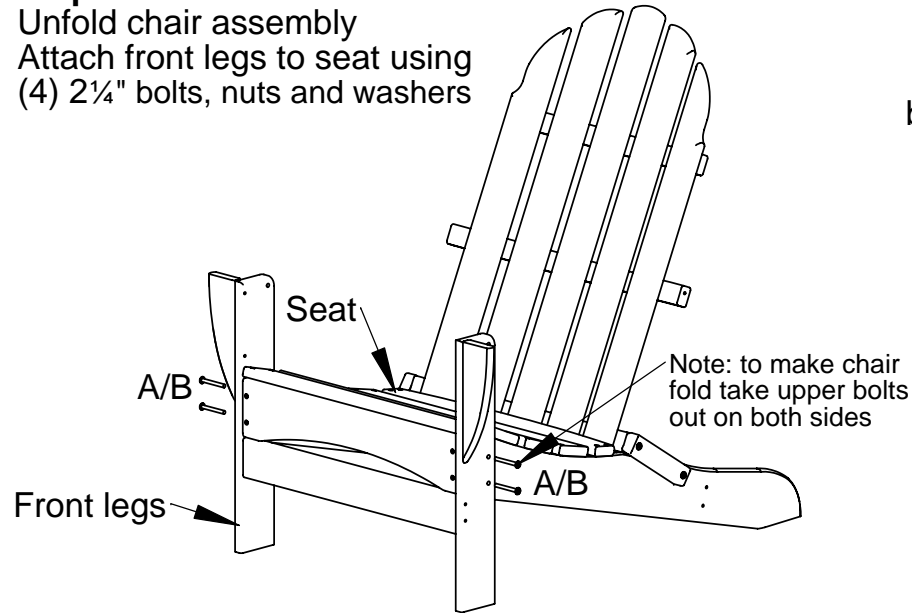
Model: CBAD

- Seat & Back assembly
- Front leg assembly
- Arms
- Hardware pack

Tools Needed

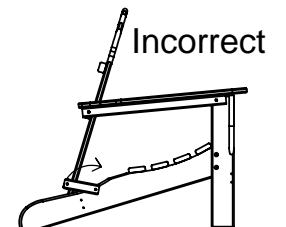
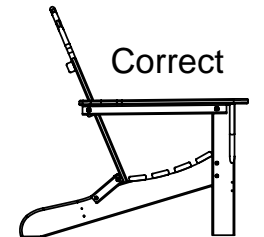
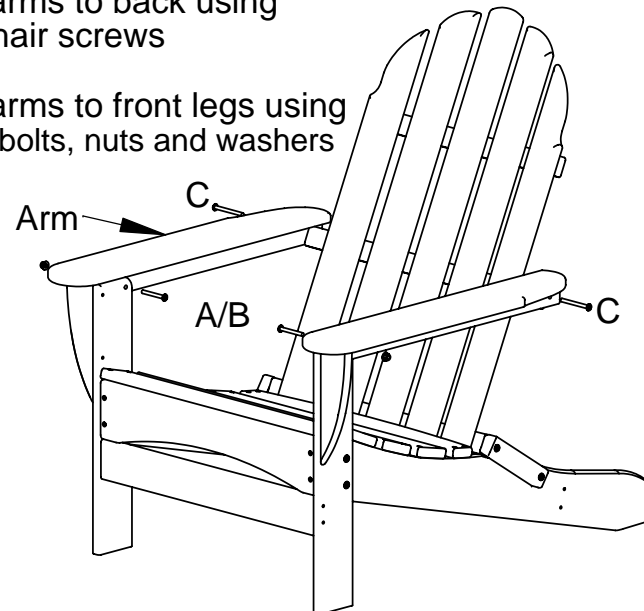
- 7/16 wrench
- Phillips head screwdriver or 4mm hex key

Step 1
 Unfold chair assembly
 Attach front legs to seat using
 (4) 2¼" bolts, nuts and washers



Step 2
 Attach arms to back using
 (2) 3" chair screws

Attach arms to front legs using
 (2) 2¼" bolts, nuts and washers



Qty.	Description
6	A - 2¼" Bolt
6	B - 1/4" Washer
6	B - 1/4" Lock nut
2	C - 3" Chair screw

