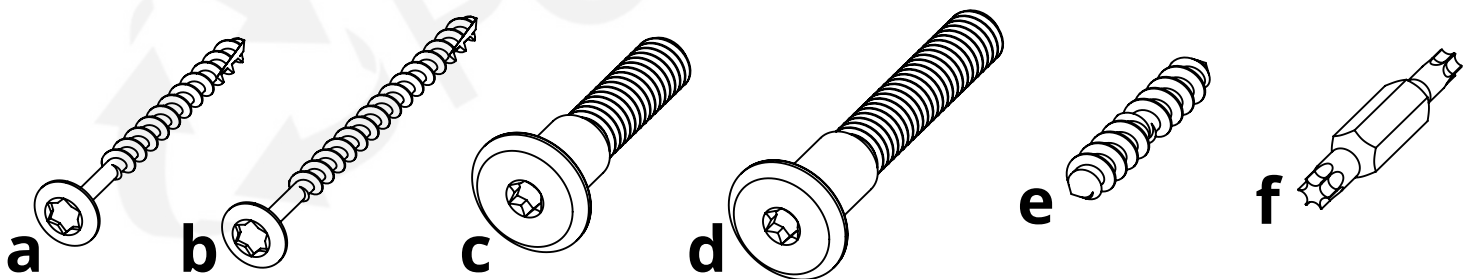


PARTS

PART	DESCRIPTION	PART NO.	QTY
A	FRONT LEG ASSEMBLY	SA-00062	2
B	LEFT BACK LEG ASSEMBLY	SA-00063	1
C	RIGHT BACK LEG ASSEMBLY	SA-00067	1
D	UNDER ARM SUPPORT	PRT-00146	2
E	LEFT ARM ASSEMBLY	SA-00066	1
F	RIGHT ARM ASSEMBLY	SA-00067	1
G	SEAT ASSEMBLY	SA-00068	1
H	LEG BASE ASSEMBLY	SA-00065	1
I	BACK ASSEMBLY	SA-00069	1

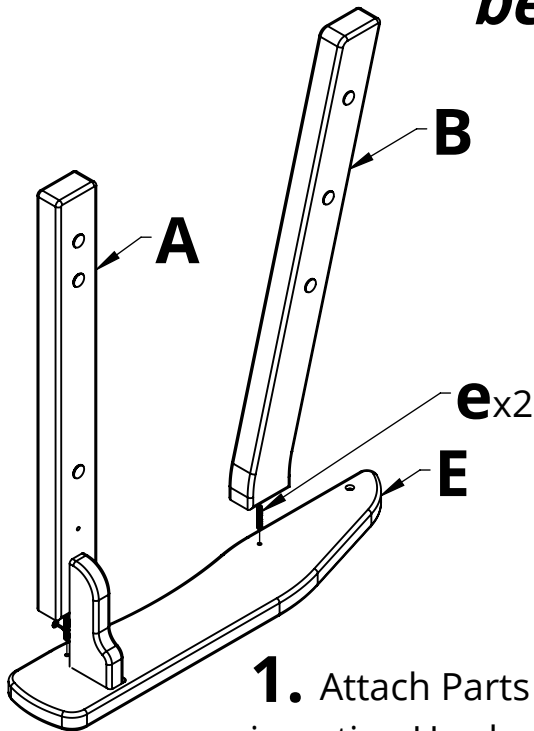


HARDWARE

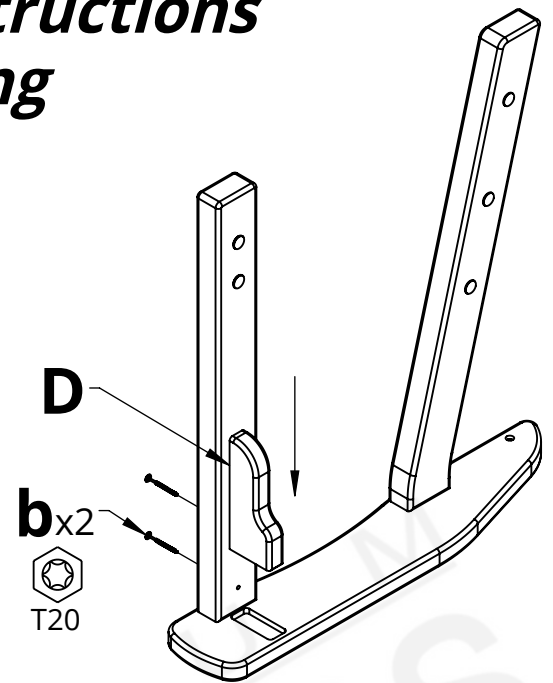
PART	DESCRIPTION	PART NO.	QTY
a	#8 X 2" TORX SCREW	H-0000-S82	2
b	#8 X 2-1/2" TORX SCREW	H-0000-S825	4
c	5/16" X 1-1/2" CHAIR BOLT	H-0000-CB51615	2
d	5/16" X 2-1/8" CHAIR BOLT	H-0000-CB516218	12
e	DOUBLE SCREW	H-0000-DS	4
f	T20 & T25 TORX BIT	H-0000-CTD	1

Suggested Tools: Drill, Plastic Mallet

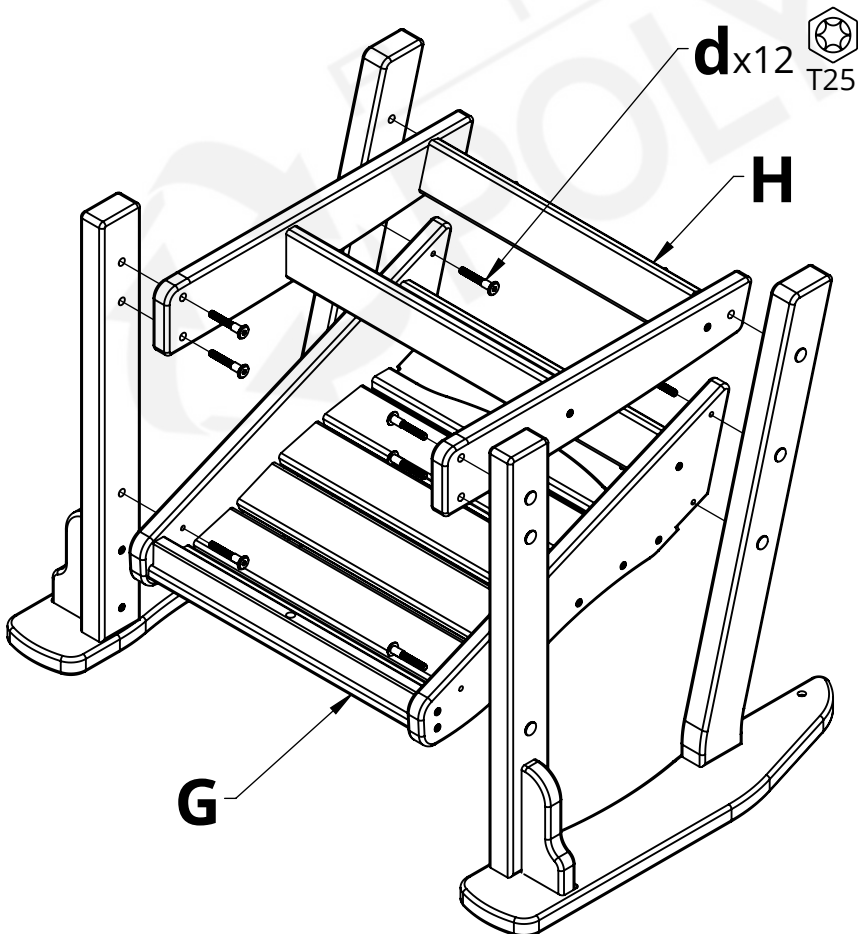
Please read entire instructions before beginning



1. Attach Parts A & B to Part E by inserting Hardware e into the pre-drilled holes and rotating Parts A & B clockwise, stopping when the assembly is tight



2. Attach Part D to the previous assemblies using Hardware b
3. Repeat Steps 1 & 2 with Parts A, C, F & D



4. Attach Parts H & I to the previous assemblies using Hardware d, this step is made easier if performed with the assembly upside down

6. Slide part I into place and connect it as shown

