

Assembly Instructions
Model: ADRC-1

- (2) Sideframes
- (1) Seat
- (1) Back
- (2) Arms
- (1) Hardware pack

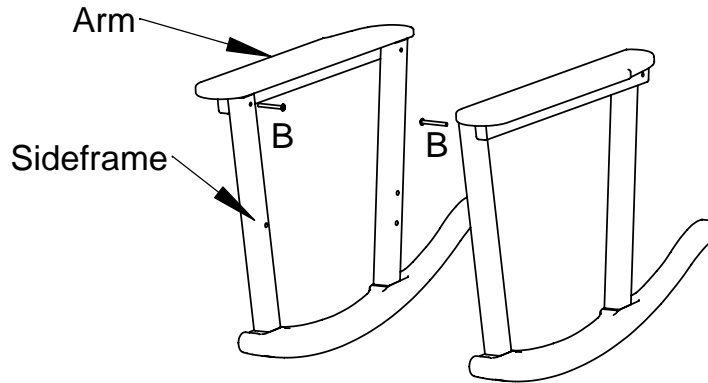
TOOLS NEEDED

Phillips head screwdriver or
4mm hex key: Included

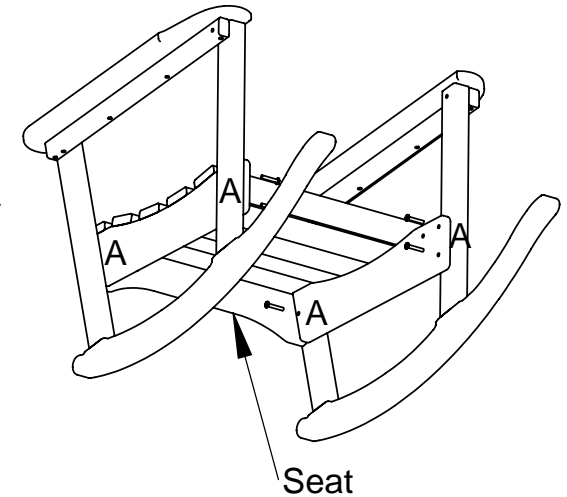
Qty. Description

8	A - 1½" Bolt
2	B - 2¼" Bolt
2	C - 3¼" Bolt

Step 1
Attach the arms to the sideframes using
(2) 2¼" bolts. Do not tighten bolts yet.



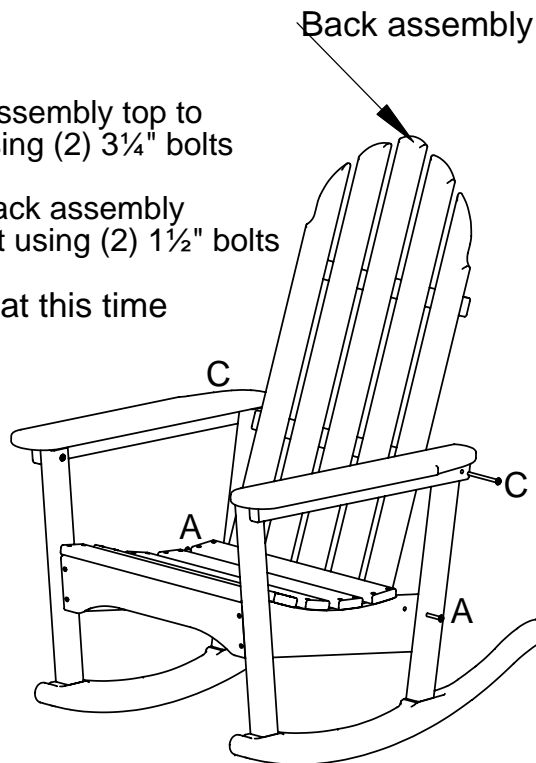
Step 2
Attach the seat to the sideframes
using (6) 1½" bolts



Step 3
Attach the back assembly top to
the sideframes using (2) 3¼" bolts

Next attach the back assembly
bottom to the seat using (2) 1½" bolts

Tighten all bolts at this time



ALL BOLTS ARE ¼-20